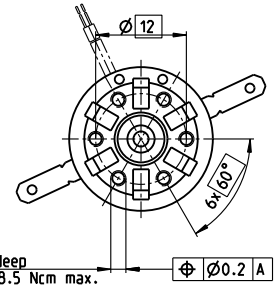
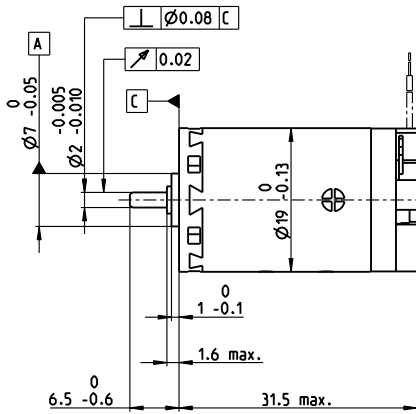
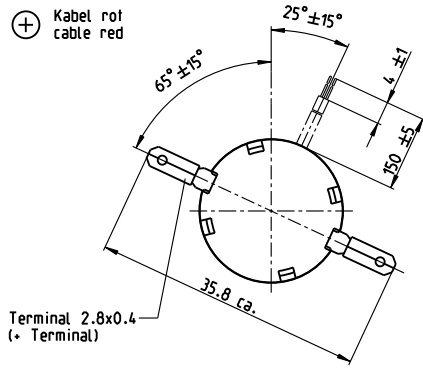


A-max 19 $\varnothing 19$ mm, graphite brushes, 2.5 watt

Kabel AWG 26/7
cable UL Style 1061

⊕ Kabel rot
cable red



A-max

M 1:1

- Stock program
- Standard program
- Special program (on request)

Part Numbers

with terminals	249982	249983	249984	249985	249986	249987	249988	249989	249990
with cables	240133	352942	310977	352943	352944	352945	352946	352947	310980

Motor Data

Values at nominal voltage		2.4	3.6	6	7.2	9	12	15	18	24
1 Nominal voltage	V	2.4	3.6	6	7.2	9	12	15	18	24
2 No load speed	rpm	12400	10400	12200	8980	8850	9930	9930	8910	8470
3 No load current	mA	292	158	114	66.1	51.9	44.6	35.7	26.3	18.6
4 Nominal speed	rpm	11700	8350	9310	4750	4630	5670	5670	4520	4020
5 Nominal torque (max. continuous torque)	mNm	0.759	1.78	2.75	3.98	4.02	3.89	3.89	3.83	3.8
6 Nominal current (max. continuous current)	A	0.72	0.72	0.72	0.612	0.485	0.397	0.317	0.235	0.167
7 Stall torque	mNm	14.1	9.66	12.1	8.84	8.83	9.47	9.44	8.16	7.63
8 Stall current	A	8.04	3.09	2.71	1.23	0.963	0.867	0.691	0.45	0.301
9 Max. efficiency	%	64	59	63	59	59	60	60	58	57
Characteristics										
10 Terminal resistance	Ω	0.299	1.16	2.22	5.88	9.35	13.8	21.7	40	79.8
11 Terminal inductance	mH	0.019	0.059	0.121	0.314	0.506	0.719	1.12	1.98	3.87
12 Torque constant	mNm/A	1.76	3.12	4.49	7.22	9.17	10.9	13.7	18.1	25.4
13 Speed constant	rpm/V	5440	3060	2130	1320	1040	874	699	526	377
14 Speed / torque gradient	rpm/mNm	925	1140	1050	1080	1060	1110	1110	1160	1180
15 Mechanical time constant	ms	24.9	25.1	24.4	24.5	24.4	24.6	24.7	25.4	25
16 Rotor inertia	gcm ²	2.57	2.1	2.21	2.17	2.2	2.12	2.12	2.09	2.02

Specifications

Thermal data

17 Thermal resistance housing-ambient	21.3 K/W
18 Thermal resistance winding-housing	10.5 K/W
19 Thermal time constant winding	11.0 s
20 Thermal time constant motor	201 s
21 Ambient temperature	-30...+85°C
22 Max. winding temperature	+125°C

Mechanical data (sleeve bearings)

23 Max. speed	12000 rpm
24 Axial play	0.05 - 0.15 mm
25 Radial play	0.012 mm
26 Max. axial load (dynamic)	1 N
27 Max. force for press fits (static)	80 N
28 Max. radial load, 5 mm from flange	2.7 N

Mechanical data (ball bearings)

23 Max. speed	12000 rpm
24 Axial play	0.05 - 0.15 mm
25 Radial play	0.025 mm
26 Max. axial load (dynamic)	3.3 N
27 Max. force for press fits (static)	45 N
28 Max. radial load, 5 mm from flange	11.9 N

Other specifications

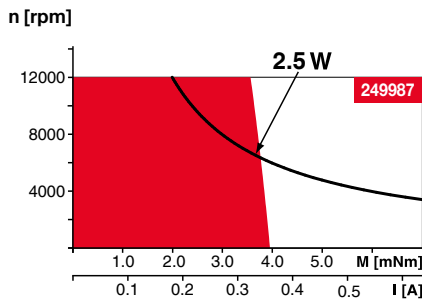
29 Number of pole pairs	1
30 Number of commutator segments	9
31 Weight of motor	33 g

Values listed in the table are nominal.
Explanation of the figures on page 82.

Option

Ball bearings in place of sleeve bearings

Operating Range



Comments

- Continuous operation**
In observation of above listed thermal resistance (lines 17 and 18) the maximum permissible winding temperature will be reached during continuous operation at 25°C ambient.
= Thermal limit.
- Short term operation**
The motor may be briefly overloaded (recurring).
- Assigned power rating**

maxon Modular System

Details on catalog page 38

Planetary Gearhead

$\varnothing 19$ mm
0.1 - 0.3 Nm
Page 381

Planetary Gearhead

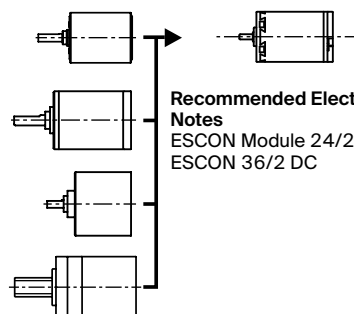
$\varnothing 22$ mm
0.5 - 2.0 Nm
Page 383/385

Spur Gearhead

$\varnothing 24$ mm
0.1 Nm
Page 389

Screw Drive

$\varnothing 22$ mm
Page 424/425



Recommended Electronics:

Notes	Page 38
ESCON Module 24/2	500
ESCON 36/2 DC	500